

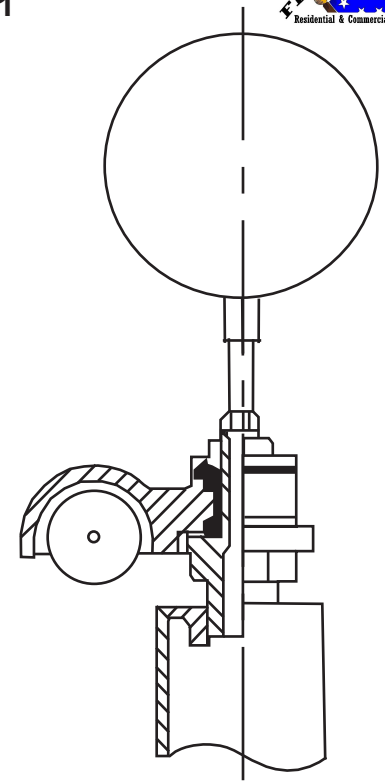
Model ECS30 - ESS30B41

4" - 14 gauge spun aluminum ball
gold anodized

Single sheave truck, cast aluminum
stationary, non-fouling type

2 Bronze swivel snaps with covers
per halyard

1 Set of halyard: #8 poly



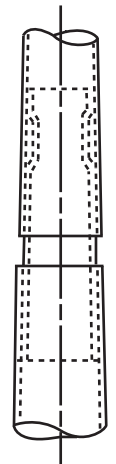
Truck Detail

Aluminum body
Stainless steel ball bearings
Aluminum sheave
Cast aluminum spindle

All shafts with overall length of more than 38'-6" are shipped in two sections.

Each section matched marked for field assembly. Exposed portion of jam sleeve must be **well lubricated** prior to assembly.

1-1/2" maximum shop gap allowed for field fitting (ram for tight joint)



1 - 9" Cast aluminum cleat

Aluminum flash collar (optional)

3000 PSI concrete

Hardwood wedges
(supplied by others)

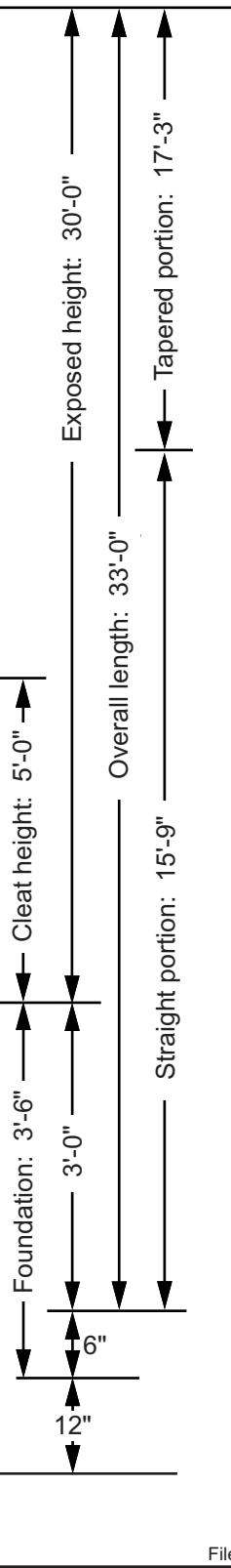
Dry sand tightly tamped
after aligning pole

Foundation sleeve -16 ga
hot dip galvanized steel

Steel centering wedges

1/4" Steel base plate

1/4" Steel support plate
welded to grounding spike



Filename: ECS30 stationary_single sheave_truck.ai

Project:	Ground set tapered aluminum flagpole: ALLOY: 6063T6	FLAGPOLES ETC	Date:
Location:	Exposed height: 30'-0"	Overall height: 33'-0"	407 Hadley St.
Architect:	Ships in 1 or 2 sections	Butt diameter: 4"	Holly, MI 48442
Contractor:	Top diameter: 2-3/8"	Wall thickness: .125"	(888) 735-5591
Customer:	Finish: 100 grit polish		Job: